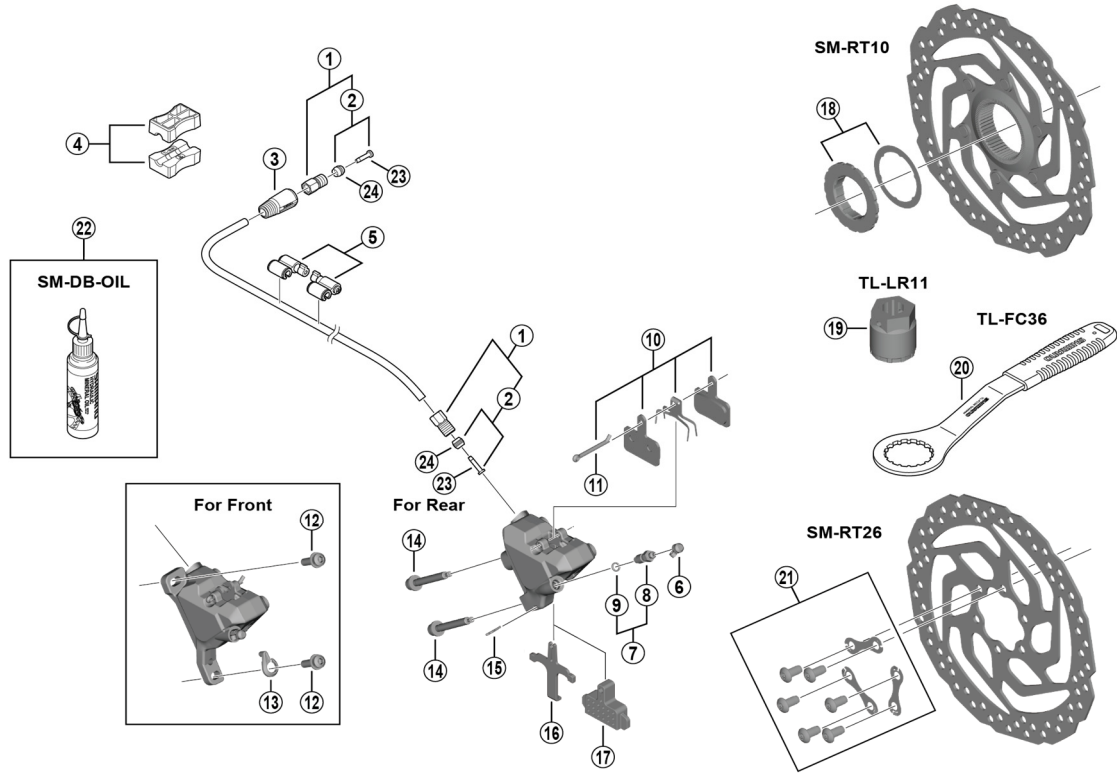


Disc Brake
BR-UR300 Brake Caliper
SM-BH59 Brake Hose

SM-RT10 Disc Rotor/Center Lock
SM-RT26 Disc Rotor/6-Bolt



ITEM NO.	SHIMANO CODE NO.	DESCRIPTION
1	Y8AL98020	Flare nut unit
2	Y8H298040	Olive and connector insert
3	Y1XW04000	Cover
4	Y8H198030	TL-BH61 Shimano original tool (2 pcs.)
5	Y83098040	SM-HANG Hose supporter A and B
6	Y8B214000	Bleed nipple cap
7	Y8G498010	Bleed nipple and seal ring
8	Y8CL24100	Bleed nipple
9	Y8B511001	O-ring for bleed nipple
*	EBPB05SRXA	B05S-RX Resin pad and spring with split pin 3 type (pair)
* 10	EBPB05SRXBS	B05S-RX Resin pad and spring with split pin 3 type (25 pairs)
*	EBPB05SRXCS	B05S-RX Resin pad and spring with split pin 3 type (50 pairs)
11	Y8DB06100	Split pin
12	Y8N204000	Caliper fixing screw A
13	Y8N205000	Snap ring
14	Y8N208000	Caliper fixing screw C for 10 mm rear mount thickness
	Y8N208050	Caliper fixing screw C for 15 mm rear mount thickness
	Y8N208010	Caliper fixing screw C for 20 mm rear mount thickness
	Y8N208020	Caliper fixing screw C for 25 mm rear mount thickness
	Y8N208030	Caliper fixing screw C for 30 mm rear mount thickness
	Y8N208040	Caliper fixing screw C for 35 mm rear mount thickness
15	Y8N207000	Screw fixing pin
16	Y8PE03000	Pad spacer
17	Y8FZ05000	Bleeding spacer
18	Y8JX98020	Lock ring (black) and washer
19	Y8PW04100	TL-LR11 Lock ring removal tool
20	Y13098000	TL-FC36 Lock ring removal tool
21	Y8NX98010	Rotor fixing screw and lock washer
22	Y83998020	Mineral oil (100 ml)
	Y83998030	Mineral oil (500 ml)
* 23	Y8H298046	Connecting insert (100 pcs.)
* 24	Y8H298047	Olive (100 pcs.)

Feb.-2022-4411D
 © Shimano Inc. I

Specifications are subject to change without notice.

SHIMANO